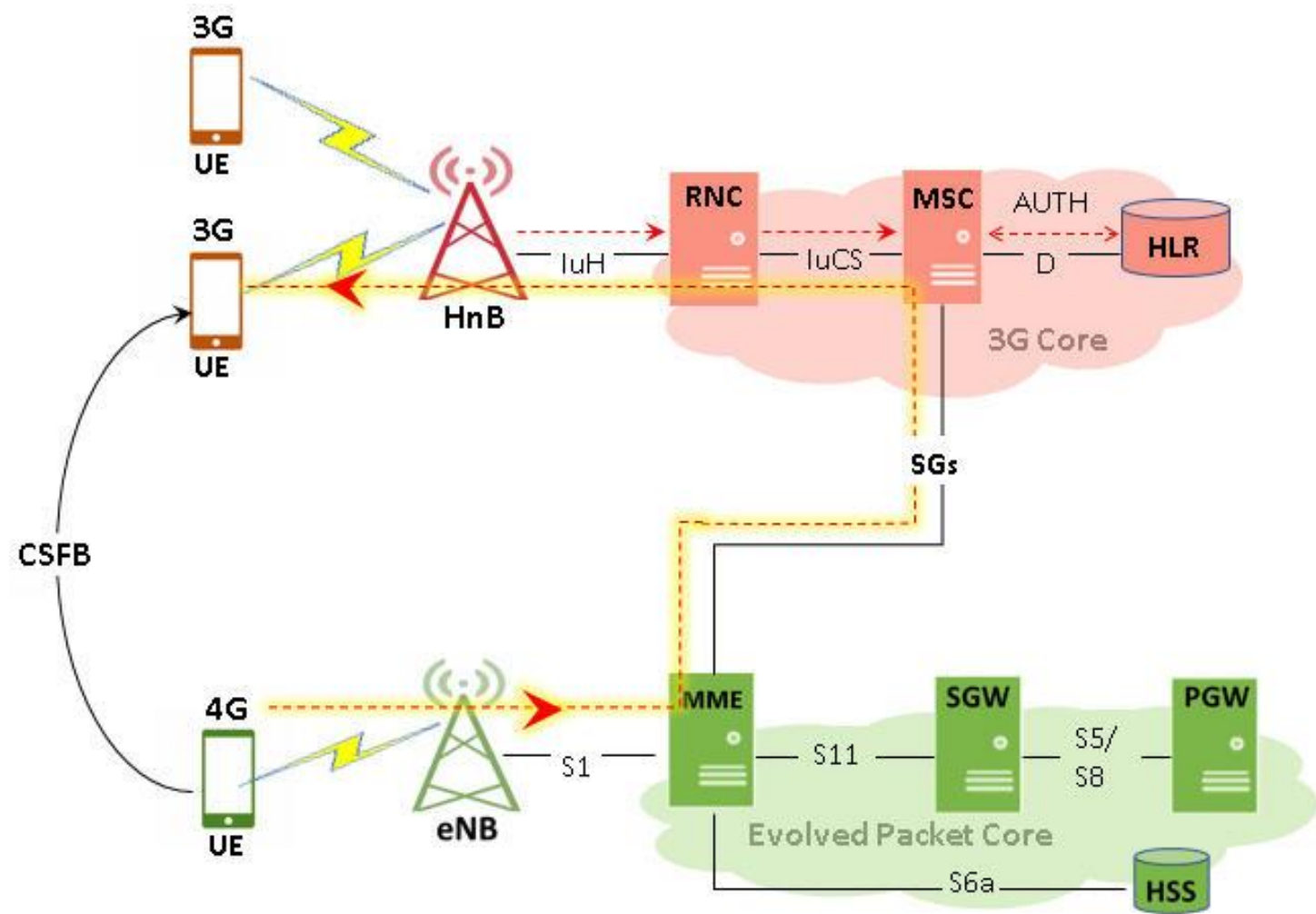


# Inter-Network Calls - 4G Calling 3G (CS Fallback)

- ❖ Circuit-switched fallback requires both 3G and 4G networks to be on the same PLMN. To accomplish this we'll set the 4G PLMN to 45080 (same as 3G) and use 45080 mobiles on both 3G and 4G networks
- ❖ Enable the CSFB service in eNodeB, follow the Real eNodeB Configuration slide



# Inter-Network Calls - 4G Calling 3G (CS Fallback)

Supports the following SGs interface fallback procedures:

- ❖ Paging for non-EPS Services
- ❖ Location Update for Non-EPS Services
- ❖ Non-EPS Alert
- ❖ Explicit IMSI Detach from EPS Services
- ❖ Explicit IMSI Detach from Non-EPS Services
- ❖ Implicit IMSI Detach from Non-EPS services
- ❖ VLR Failure
- ❖ MME Failure
- ❖ MM Information
- ❖ Tunneling of NAS Messages
- ❖ Mobile Terminating and Mobile Originating SMS Services

