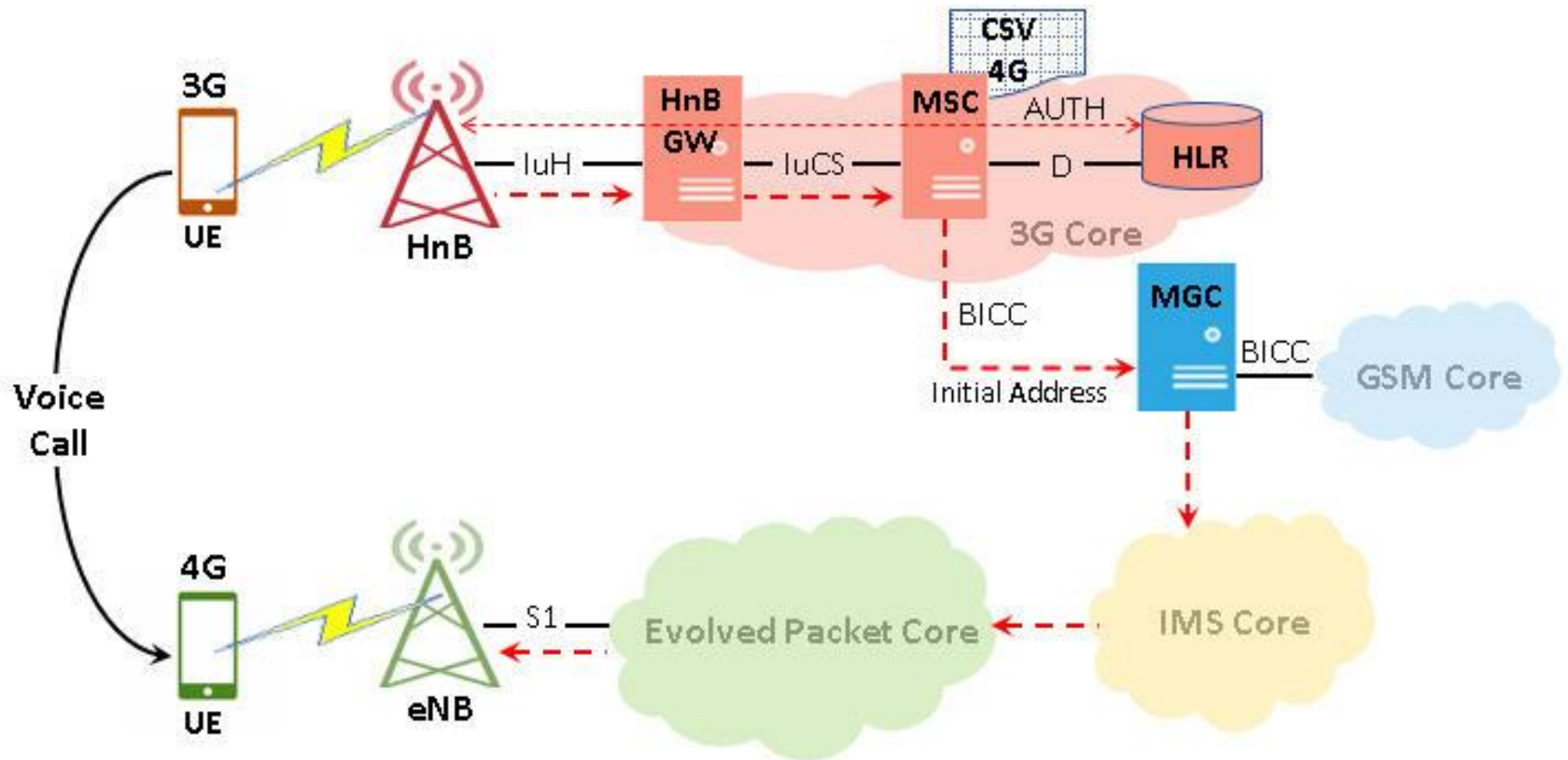
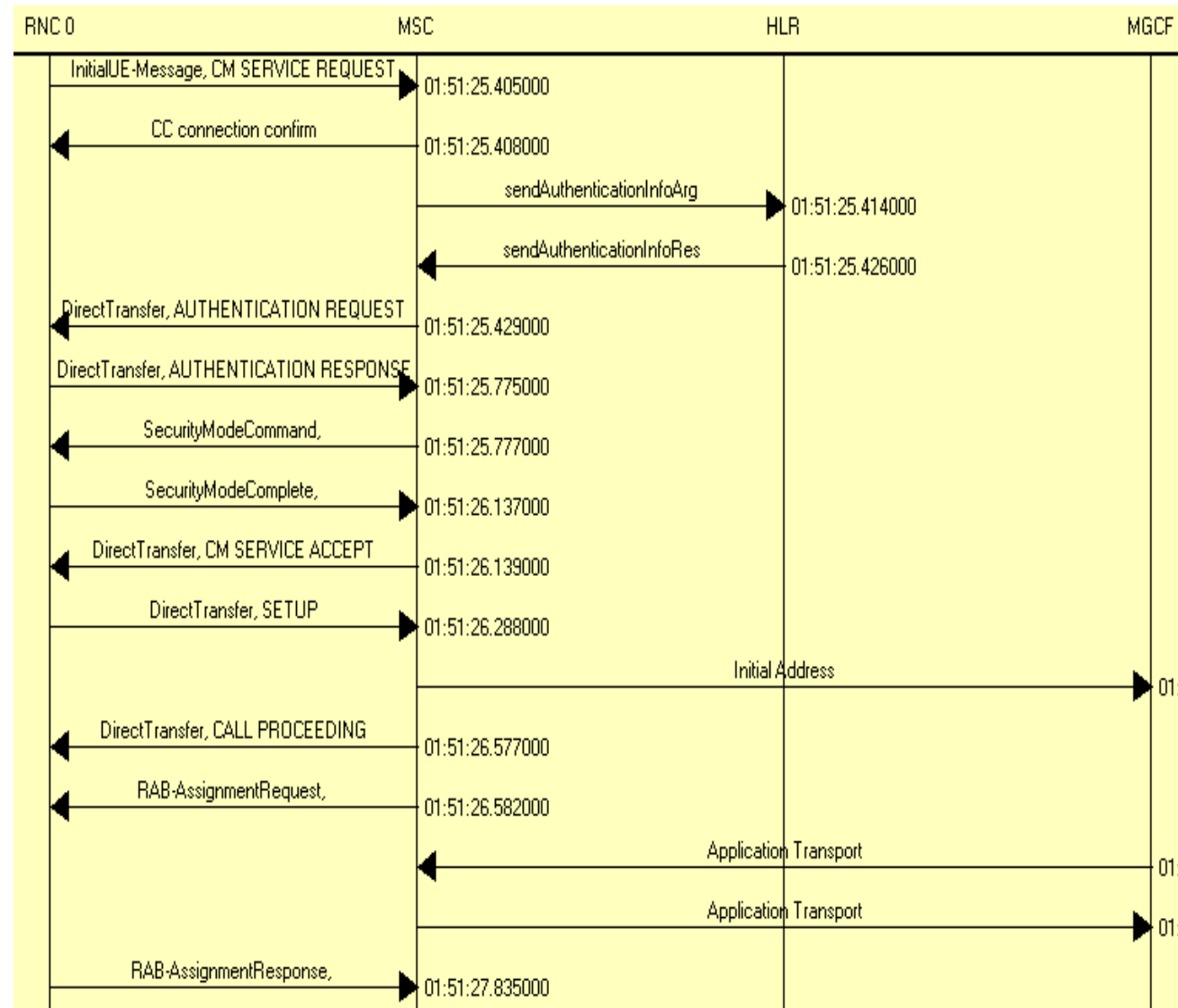


Inter-Network Calls - 3G user calling 4G user



Inter-Network Calls - 3G user calling 4G user

- ❖ UE1 placing call to UE2 while both the users reside in their home network.
- ❖ Location is updated for both users in their home network (home HLR). MSC maintains a map table for IMSI and MSISDN of all the registered users.
- ❖ When a voice call is placed from UE1 to UE2, MSC on 3G network receives call from UE1 and checks for the received MSISDN registration using MAP table. If MAP is not found then MSC checks 4G CSV. If MSISDN is available in 4G CSV then call is routed to MGC using Initial Address Message.
- ❖ MGC, On Reception of Initial Address Message, routs call to MME via IMS network.
- ❖ For simulated calls, generate call from MAPS BSC using GSMA_Call-2G-4G.gls script



Inter-Network Calls - 3G user Calling 4G user Call Flow

