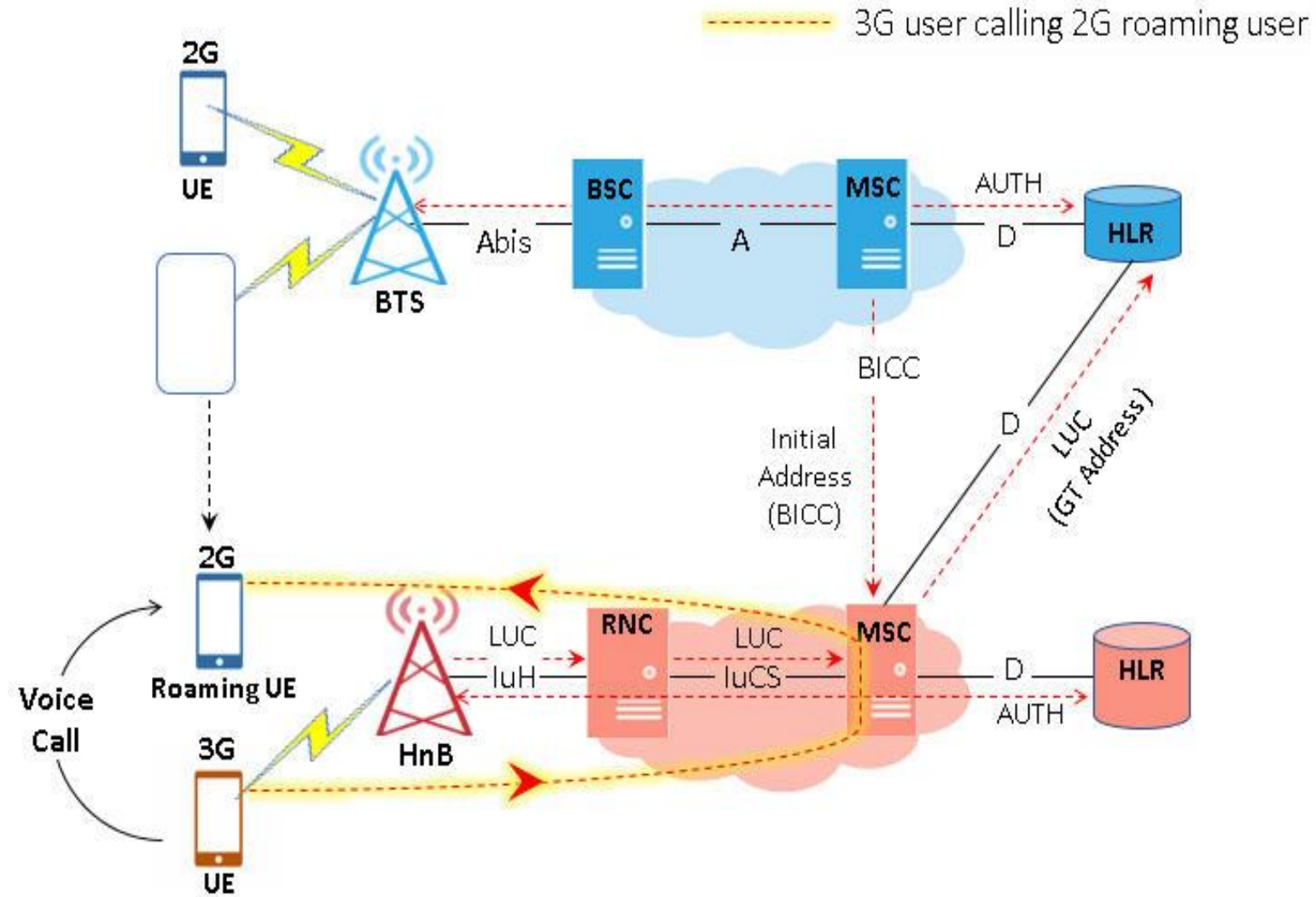


Roaming Calls - 3G user Calling 2G Roaming UE

- ❖ 2G User when roaming into 3G Network registers to 3G MSC. i.e Location update is performed and MSC has MSISDN vs IMSI MAP stored.
- ❖ Home HLR(2G) Performs Cancel Location with 2G MSC. Upon Cancel Location MSC delete MSISDN vs IMSI MAPS stored with previous Registration
- ❖ When 3G user calls 2G roaming user, MSC receives Call and checks Called MSISDN is registered into MSC. If registered, Paging is initiated to RNC within 3G network to call 2G user.
- ❖ If 2G user calls 2G user who is roaming in 3G network, 2G MSC will route call to 3G MSC as there is no MAP found for MSISDN vs IMSI



Roaming Calls - 3G Calling 2G Roaming UE Call Flow

