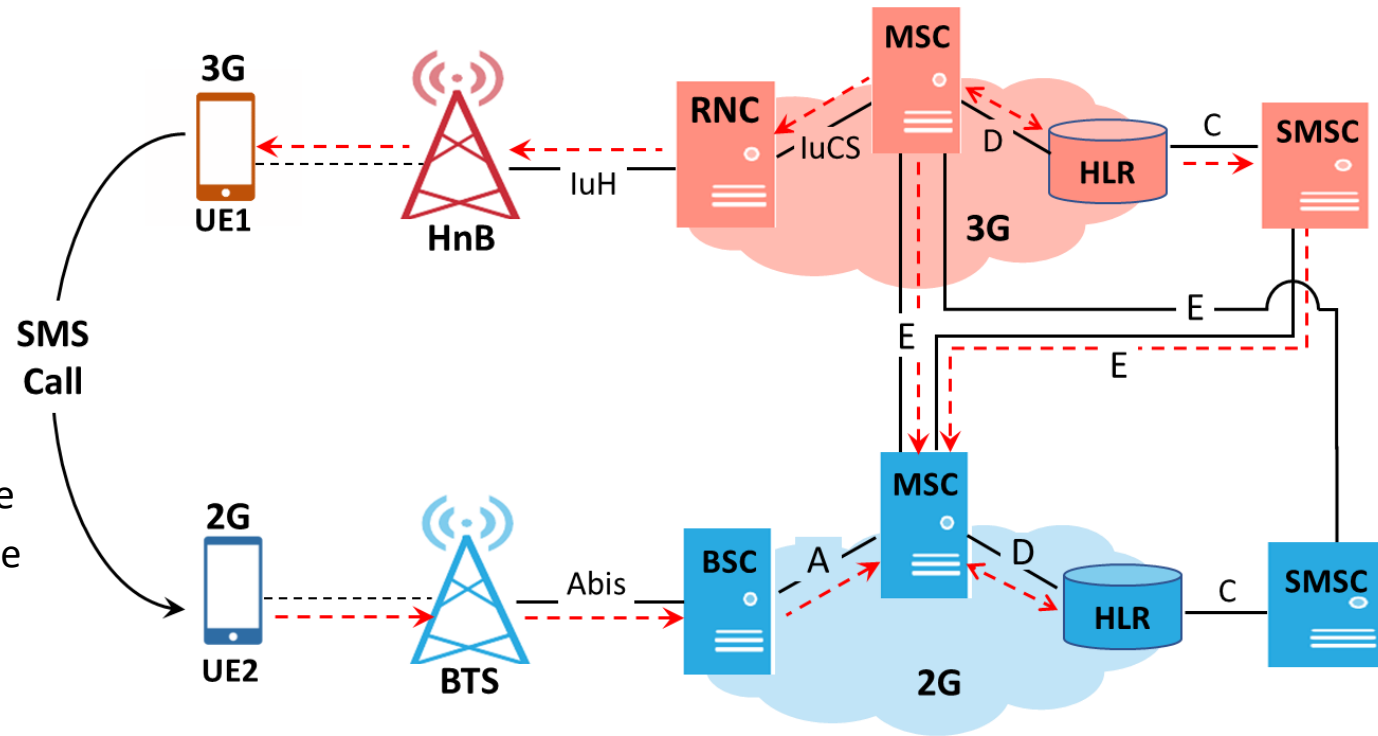


Inter-Network Calls - 3G user SMS to 2G user

- ❖ UE1 placing call to UE2 while both the users reside in their home network.
- ❖ Location is updated for both the users in their home network (home HLR). MSC maintains a map table for IMSI and MSISDN of all the registered users.
- ❖ When a voice call or SMS call is placed from UE1 to UE2, MSC on 3G network receives call from UE1 and checks for the received MSISDN registration using MAP table. If MAP is found then call is routed within same network otherwise call is routed to 2G MSC. MSC in the 2G network routes the request to 2G user.
- ❖ For simulated calls, generate call from MAPS RNC using `luCS_Call-3G-2G.gls` script



Inter-Network Calls - 3G user SMS to 2G user

