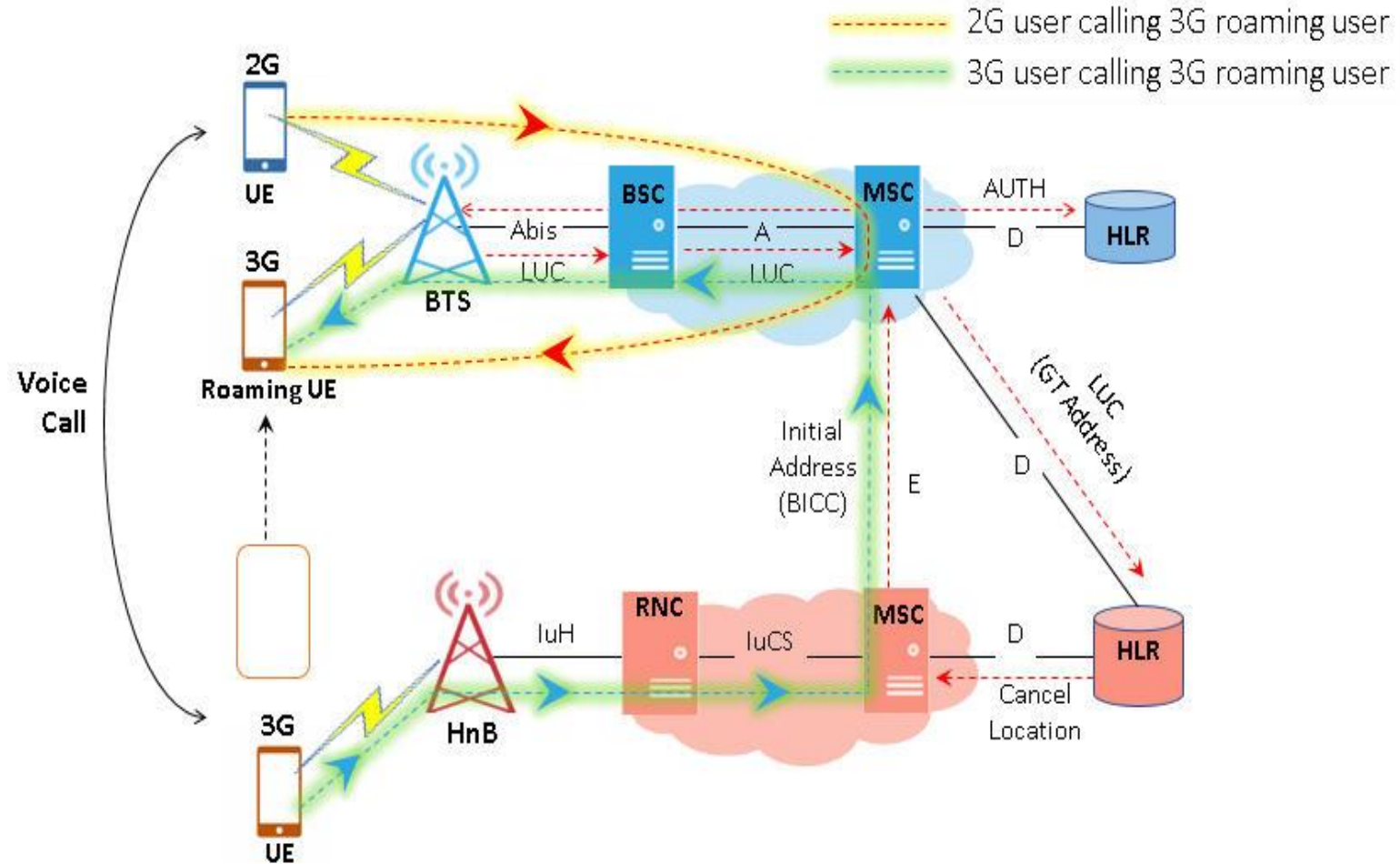


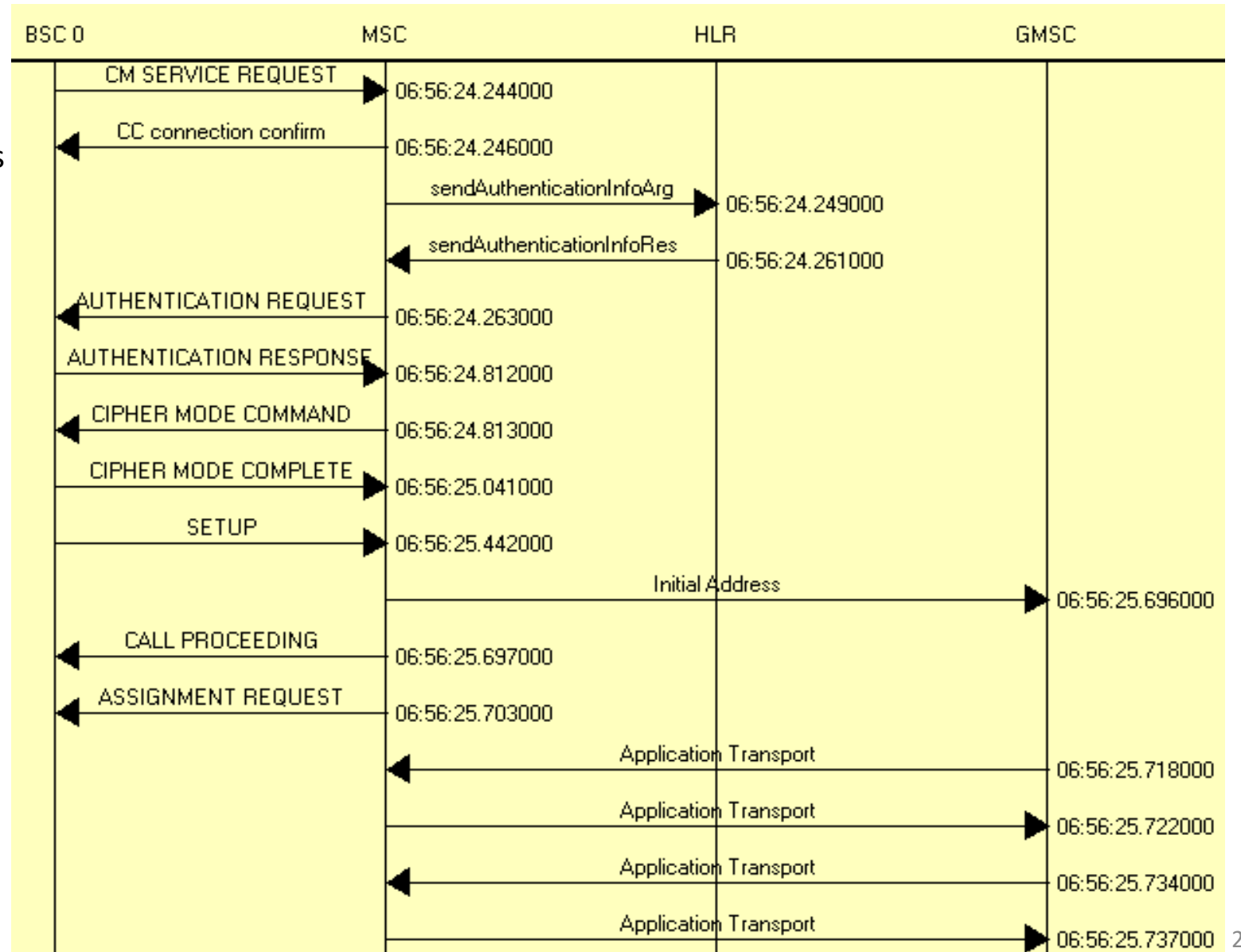
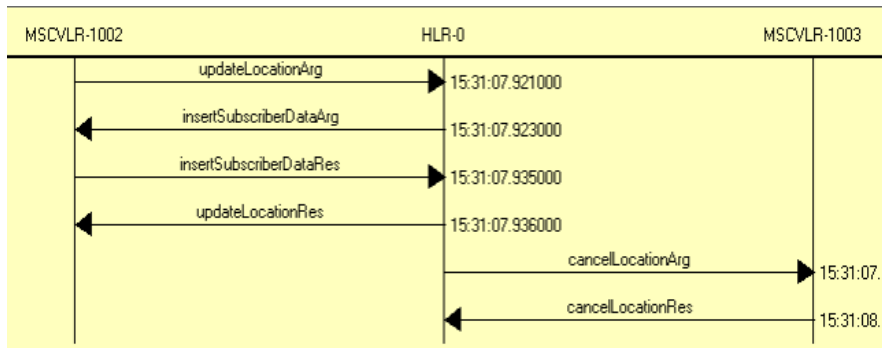
Roaming Calls - 2G user Calling 3G Roaming UE

- ❖ 3G User when roaming into 2G Network registers to 2G MSC. I.e Location update is performed and MSC has MSISDN vs IMSI MAP stored.
- ❖ Home HLR(3G) Performs Cancel Location with 3G MSC. Upon Cancel Location MSC delete MSISDN vs IMSI MAPS stored with previous Registration
- ❖ When 3G user calls 3G roaming user, MSC receives Call and checks Called MSISDN is registered into MSC. If registered, Paging is initiated to BSC within 2G network to call 3G user.
- ❖ If 3G user calls 3G user who is roaming in 2G network, 3G MSC will route call to 2G MSC as there is no MAP found for MSISDN vs IMSI



Roaming Calls - 2G Calling 3G Roaming UE (Continued)

- ❖ HLR performing Cancel Location with Previous Registered MSC



Roaming Calls - 2G Calling 3G Roaming UE (Continued)

