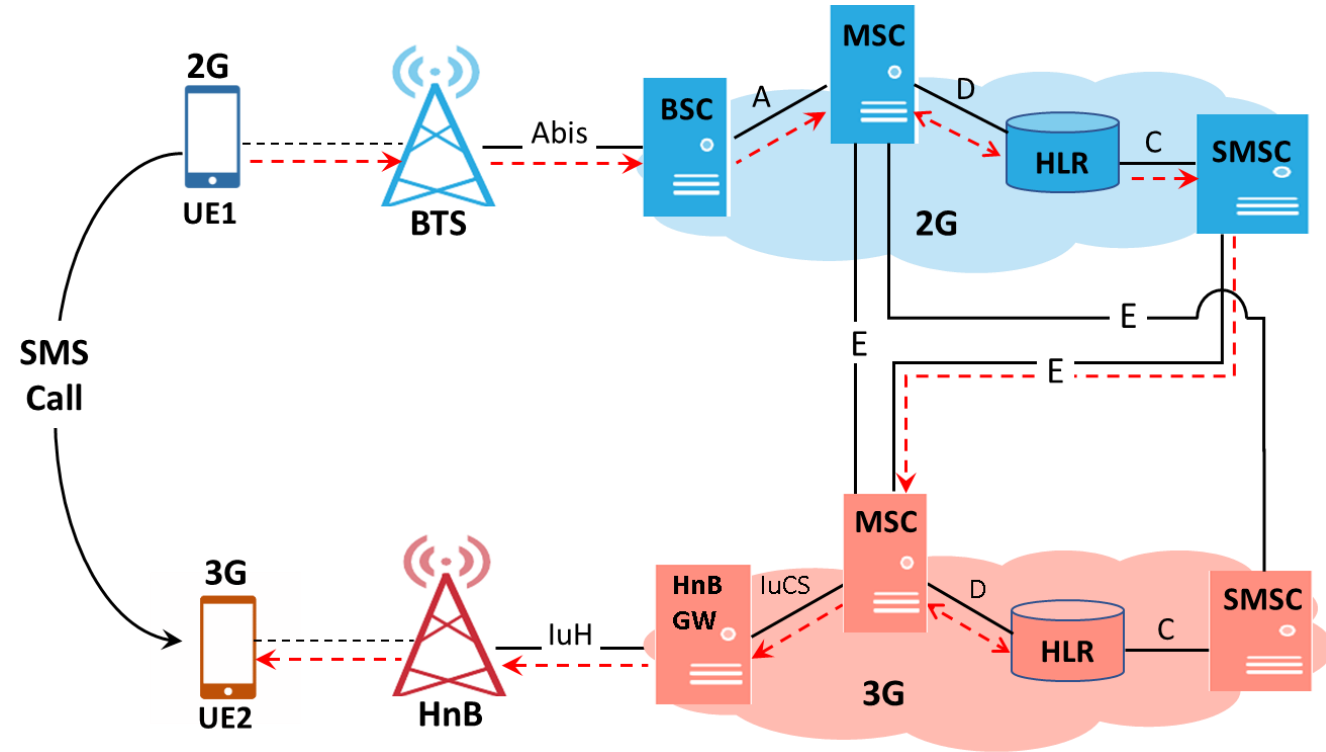


Inter-Network Calls - 2G SMS to 3G

- ❖ UE1 placing call to UE2 while both the users resides in their home network.
- ❖ Location is updated for both the users in their home network (home HLR). MSC maintains a map table for IMSI and MSISDN of all the registered users.
- ❖ When a voice call or SMS call is placed from UE1 to UE2, MSC on 2G network receives call from UE1 and checks for the received MSISDN registration using MAP table. If MAP is found then call is routed within same network otherwise call is routed to 3G MSC. MSC in the 3G network routes the request to 3G user.
- ❖ For simulated calls, generate call from MAPS BSC using GSMA_Call-2G-3G.gls script



Inter-Network Calls - 2G SMS to 3G

